

The TTD Head is a temperature transmitter that has been compensated by using computerized laser resistor trimming, complete with an integrated wiring box design. The TTD Head can use PT100 as the sensing component. With special terminal and digital display, installation, calibration, and repair are convenient. This series is suitable for petroleum, chemical, metallurgy, electric power, water conservancy, scientific research, environmental protection, and other various enterprises and institutions application. The TTD Head can be used to realize the measurement of fluid temperature and is suitable for various occasions all weather environment and all kinds of corrosive fluid.



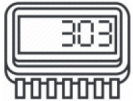
Product Features



Multi measure range selection



Convenient to calibrate range & null point



Digital LCD temperature display



High precision & stability



Reverse polarity & current limiting protection



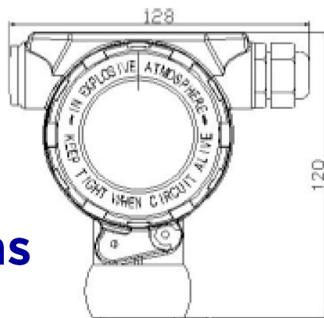
Cost-effective



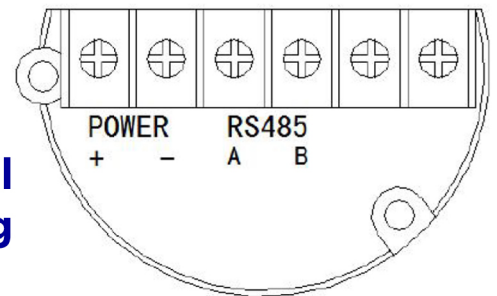
Specification

As requested	0~100°C	Precision	0.5%
Overload	200%	Output	4~20mA/RS485
Stability	≤0.1% /year	Power supply	12~30VDC
Display	5-digit LCD	Display range	-19999~99999
Thread	M20*1.5 or customized	Interface material	Stainless steel

Dimensions



Electrical Wiring



PT MULTI MAKMUR TEKNIKATAMA

Phone: +62 21 54350091 | +62 21 54350092 | +62 21 54350181

Mobile WA: +62 878 6314 1371 | Fax: +62 21 54350182

Email: admin@multimakmur.co.id | Website: www.multimakmur.co.id

