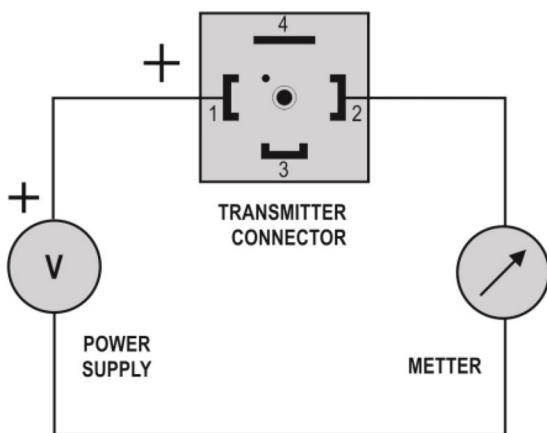


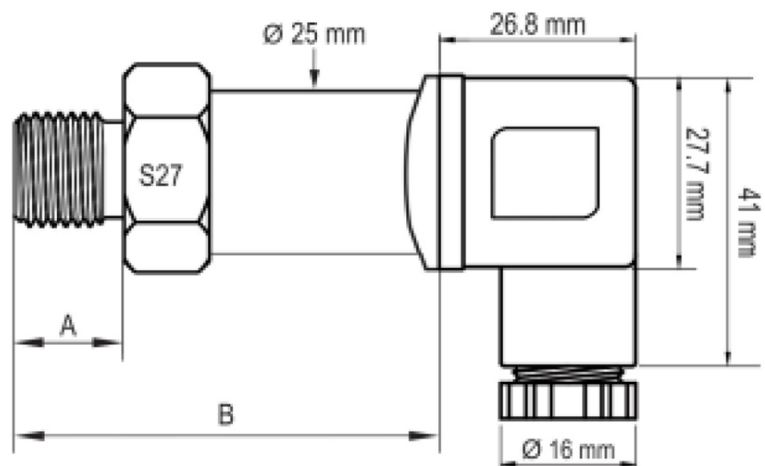
# TG-PT Series



### Terminal Connection



### Dimension



THREAD	A (mm)	B (mm)	Weight (g)
NPT 1/2	20.0	67.2	166



**PT MULTI MAKMUR TEKNIKATAMA**

Phone: +62 21 54350091 | +62 21 54350092 | +62 21 54350181

Mobile WA: +62 878 6314 1371 | Fax: +62 21 54350182

Email: admin@multimakmur.co.id | Website: www.multimakmur.co.id



Specification		
Reference Condition	Environment 23 °C ± 3 °C, 24 V supply, 250 Ω load. Vertical position (pressure connection down). Atmospheric pressure: 1015 ± 30 mbar.	
Measure Type	≤ <b>10 bar</b> : Positive relative pressure. ≥ <b>16 bar</b> : Sealed relative pressure with 1 bar reference pressure.	
Measurement accuracy	< ±0.25 % of the maximum range (Max. Range) Including linearity, hysteresis, and repeatability under reference conditions.	
Long-term stability	< ± 0.3 % Max. Range / year.	
Durability	> 10 million cycles.	
Thermal maximum deviation	< ±0.05 % of the maximum range / °C. Including zero deviations and span.	
Mounting position influence	< 0.001% of the maximum range / °C.	
Resolution	< 0.02 % of the maximum range	
Output signal	Electrical current, 4-20 mA, 2 wires. Meets NAMUR NE-43 recommendation. Maximum current: < 21.5 mA.	
Power supply	11 to 33 Vdc Internal protection against reversal polarity of voltage supply.	
Maximum load (RL)	$RL = (Vdc - 11) / 20 \text{ mA } (\Omega)$ . Where: Vdc = Voltage supply.	
Protection Index	IP65	
Electrical connection	Connector for type A valves (DIN EN 175301-803), IP65. Conductor 1.5 mm <sup>2</sup> (max.) and cables between 6 and 8 mm in diameter.	
Operating temperature	-20 to 70 °C (-4 to 158 °F)	
Medium temperature	-20 to 100 °C (-4 to 212 °F)	
Storage temperature	-40 to 100 °C (-4 to 212 °F)	
Dynamic response	< 30 ms	
Process connection (thread)	½ NPT	
Sensor features	Polysilicon Piezoresistive (silicone oil filled).	
Transmitter metal housing	316 Stainless Steel.	
Wetted parts	Sensor, 316 Stainless Steel. Metal connection, 316 Stainless Steel.	
Compatibility	Any gas or liquid compatible with the constituent materials of the wetted parts.	
Certification	CE, UKCA	



### PT MULTI MAKMUR TEKNIKATAMA

**Phone:** +62 21 54350091 | +62 21 54350092 | +62 21 54350181

**Mobile WA:** +62 878 6314 1371 | **Fax:** +62 21 54350182

**Email:** admin@multimakmur.co.id | **Website:** www.multimakmur.co.id

