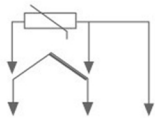


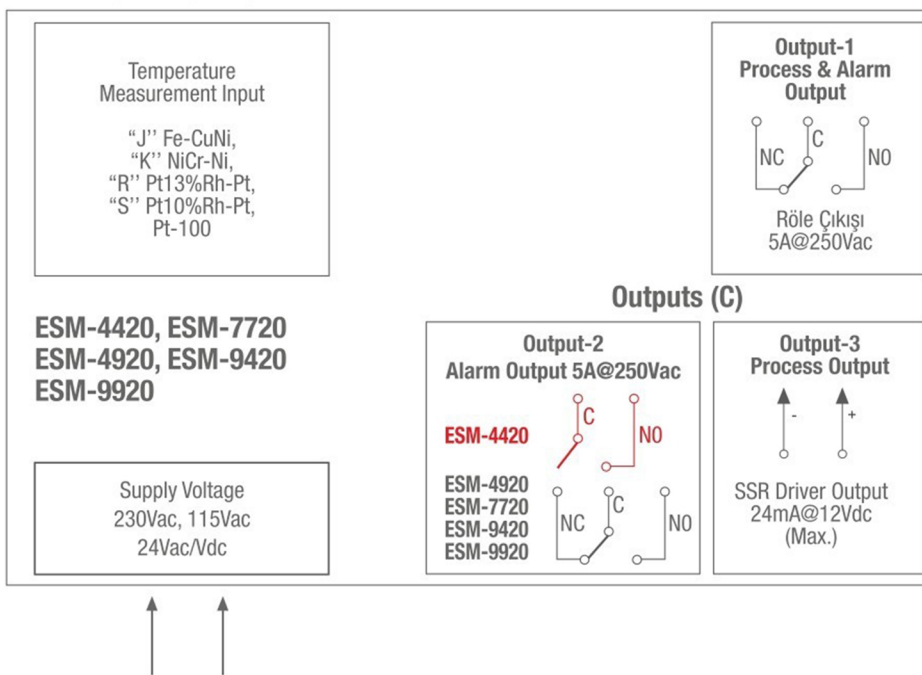
ESM-9920

PID Temperature Controller with Universal Input (TC, RTD)

- Universal process input (TC,RTD)
- Self-Tune (Step Response Tuning) automatic adaptation of the coefficients to the system
- 2 Relays and 1 SSR drive output
- Soft Start Output For Resistance Durability
- 4 Digits process (PV) and 4 Digits set value (SV) display
- Configurable ON/OFF, P, PI, PD, & PID control forms
- Programmable Heating or Cooling Functions for Control Output
- Alarm Functions for Alarm Output
- SET Value Limitation For System Protection
- Sensor Break Protection



Connection Diagram



PT MULTI MAKMUR TEKNIKATAMA

Phone: +62 21 54350091 | +62 21 54350092 | +62 21 54350181

Mobile WA: +62 878 6314 1371 | Fax: +62 21 54350182

Email: admin@multimakmur.co.id | Website: www.multimakmur.co.id



Features	Descriptions
Control	
Approvals	GOST-R, CE
Communication Protocols	-
Control Form	Programmable On / Off, P, PI, PD, and PID
Reading Frequency	3 readings per second
Electrical Features	
Accuracy	± % 0.25 of full scale for Thermocouple and Thermoresistance
Optional Sensor Inputs	-
Scale	Fe CuNi -200°C,900°C NiCr Ni -200°C,1300°C Pt13%Rh 0°C,1700°C Pt10%Rh 0°C,1700°C Cu CuNi -200°C,400°C PT 100 -200°C,650°C PT 100 -199.9°C,650.0°C
Sensor Inputs	J, K, R, S, T (IEC584.1) (ITS90) Selectable from parameters PT-100 (IEC751) (ITS90)
Supply Voltage and Power	230 Vac (+%15) 50/60 Hz. 1.5 VA 115 Vac(+%15) 50/60 Hz. 1.5 VA 24 Vac(+%15) 50/60 Hz. 1.5 VA 24 Vac/dc (+%15, +%10) 50/60 Hz. 1.5 VA
Output	
Analogue Output	-
Optional Outputs	-
Relay Output	5A@250 Vac at resistive load 5A@250 Vac at resistive load (Alarm Output)
SSR Output	Maximum 20 mA @ 12 Vdc
Physical Features	
Dimensions	96 mm x 96 mm x 96 mm
Installation	Fixed Installation
Protection Class	NEMA 4X (IP65 at front, IP20 at rear)
Storage / Operating Humidity	90 % max. (None condensing)
Storage Temperature	-40°C to +85°C / 0°C to +50°C

