

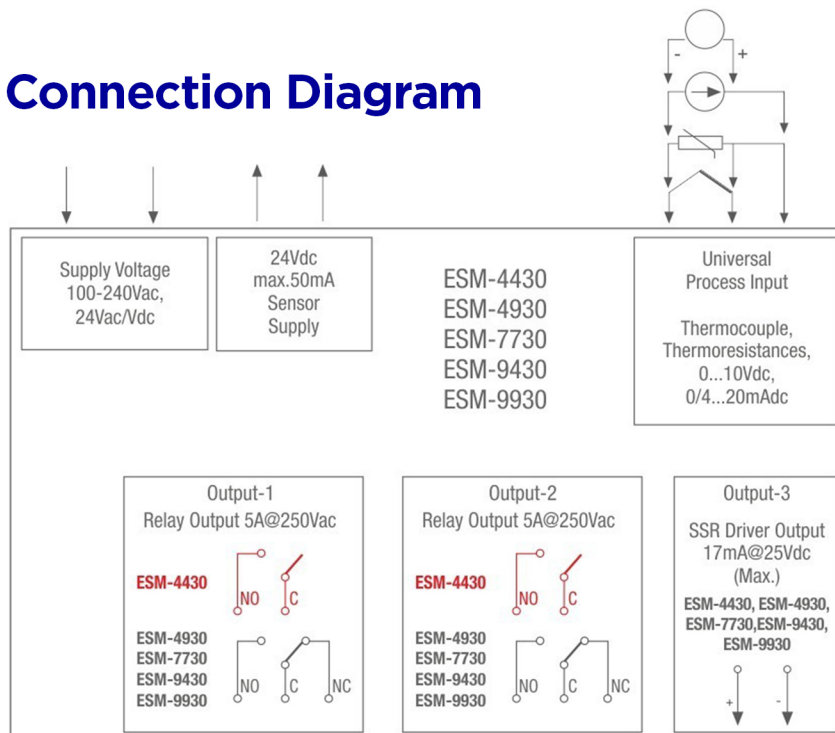
ESM-9430

Process Control Device with Universal Input and Dual Set

- Auto-tune and Self-tune PID
- Dual or multi point calibration for dc Voltage/Current input
- Bumpless transfer
- 4 Digits process (PV) and 4 Digits set (SV) display
- Universal process input (TC, RTD, mVdc, Vdc, mAdc)
- Configurable ON/OFF, P, PI, PD, and PID control forms
- Manual/Automatic mode selection for control outputs
- Programmable heating, cooling and alarm functions for control outputs



Connection Diagram



PT MULTI MAKMUR TEKNIKATAMA

Phone: +62 21 54350091 | +62 21 54350092 | +62 21 54350181

Mobile WA: +62 878 6314 1371 | Fax: +62 21 54350182

Email: admin@multimakmur.co.id | Website: www.multimakmur.co.id



Features	Descriptions
Physical Features	
Dimensions	48 mm x 96 mm 86,5 mm
Protection Class	NEMA 4X (IP65 at front, IP20 at rear)
Installation	Fixed Installation
Storage / Operating Temperature	0...50°C
Storage / Operating Humidity	90 % max. (None condensing)
Electrical Features	
Supply Voltage and Power	100-240 Vac (-15%,+10%) 50/60 Hz. 6 VA 24 Vac (-15%,+10%) 50/60 Hz. 6 VA 24 Vdc (-15%,+10%) 6 W
Sensor Inputs	Selectable by configuration parameters L (DIN43710), J, K, R, T, S, B, E, N (IEC584.1) (ITS90)
Optional Sensor Inputs	Selectable by configuration parameters 0-50 mV, 0-5 V, 0-10 V Selectable by configuration parameters 0-20 mA, 4-20 mA
Scale	
Accuracy	± 0.25% of full scale for thermocouple, thermoresistance, mV, V and mA input.
Output	
Relay Output	5A@250 Vac at resistive load
SSR Output	17mA@25V Dc(Maximum)
Analogue Output	
Optional Outputs	
Control	
Control Form	On / Off, P, PI, PD, PID
Reading Frequency	3 readings per second
Communication Protocols	
Approvals	UL Recognized Component (File No : E 254103), GOST-R, CE



PT MULTI MAKMUR TEKNIKATAMA

Phone: +62 21 54350091 | +62 21 54350092 | +62 21 54350181

Mobile WA: +62 878 6314 1371 | **Fax:** +62 21 54350182

Email: admin@multimakmur.co.id | **Website:** www.multimakmur.co.id

