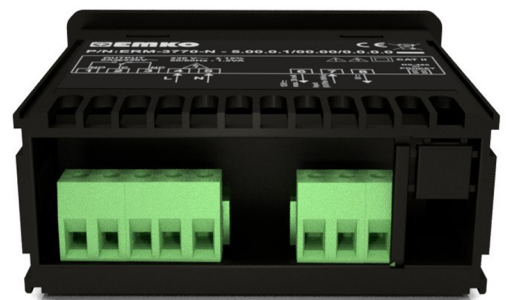


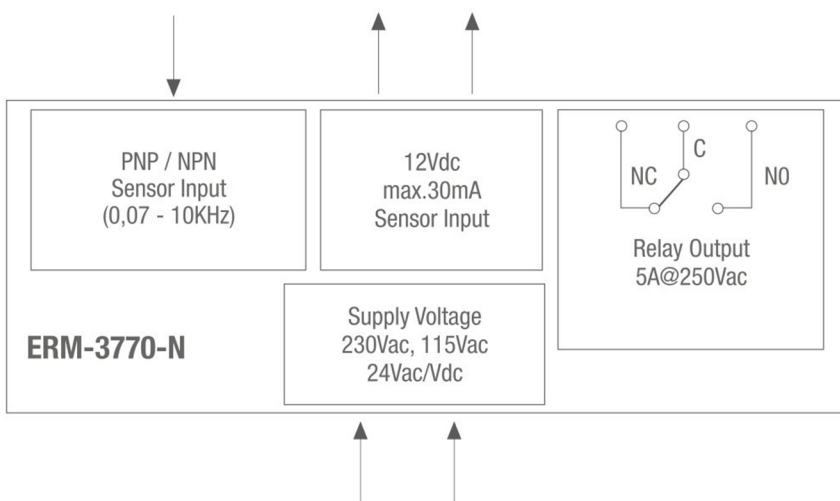
ERM-3770-N

Digital Tachometer (77 x 35 mm)

- 4 Digits display
- NPN or PNP Input Type
- Working with Process Set and Alarm Set Value
- Alarm output
- Relay or SSR driver output (It must be determined in order.)
- Alarm set value boundary
- Adjustable decimal point
- Division Rate
- 0,07Hz to 10000Hz input signal
- Automatic sampling (1 sec. to 16 sec.)
- Programming mode password protection



Connection Diagram



PT MULTI MAKMUR TEKNIKATAMA

Phone: +62 21 54350091 | +62 21 54350092 | +62 21 54350181

Mobile WA: +62 878 6314 1371 | **Fax:** +62 21 54350182

Email: admin@multimakmur.co.id | **Website:** www.multimakmur.co.id



Features	Descriptions
Physical Features	
Dimensions	77mm x 35mm x 62.5mm
Protection Class	NEMA 4X (IP65 at front, IP20 at rear)
Installation	Fixed Installation
Storage / Operating Temperature	-40 °C with +85 °C / 0 °C with +50 °C
Storage / Operating Humidity	90 % max. (None condensing)
Electrical Features	
Supply Voltage and Power	230 Vac (+%15) 50/60 Hz. 1.5 VA 115 Vac(+%15) 50/60 Hz. 1.5 VA 100-240Vac 50/60 Hz. 24 Vac(+%15) 50/60 Hz. 1.5 VA 24 Vac/dc ac (+%15, +%10) 50/60 Hz. 1.5 VA
Sensor Inputs	NPN or PNP Input type
Optional Sensor Inputs	
Scale	0.07Hz to 10000Hz Input signal
Accuracy	0.01%
Output	
Relay Output	5A@250 Vac at resistive load
SSR Output	
Analogue Output	
Optional Outputs	SSR Output Max. 28mA, Max. 15Vdc
Control	
Control Form	
Reading Frequency	
Communication Protocols	
Approvals	CE , EAC

DİJİTAL POTANSİYOMETRE



PT MULTI MAKMUR TEKNIKATAMA

Phone: +62 21 54350091 | +62 21 54350092 | +62 21 54350181

Mobile WA: +62 878 6314 1371 | **Fax:** +62 21 54350182

Email: admin@multimakmur.co.id | **Website:** www.multimakmur.co.id

