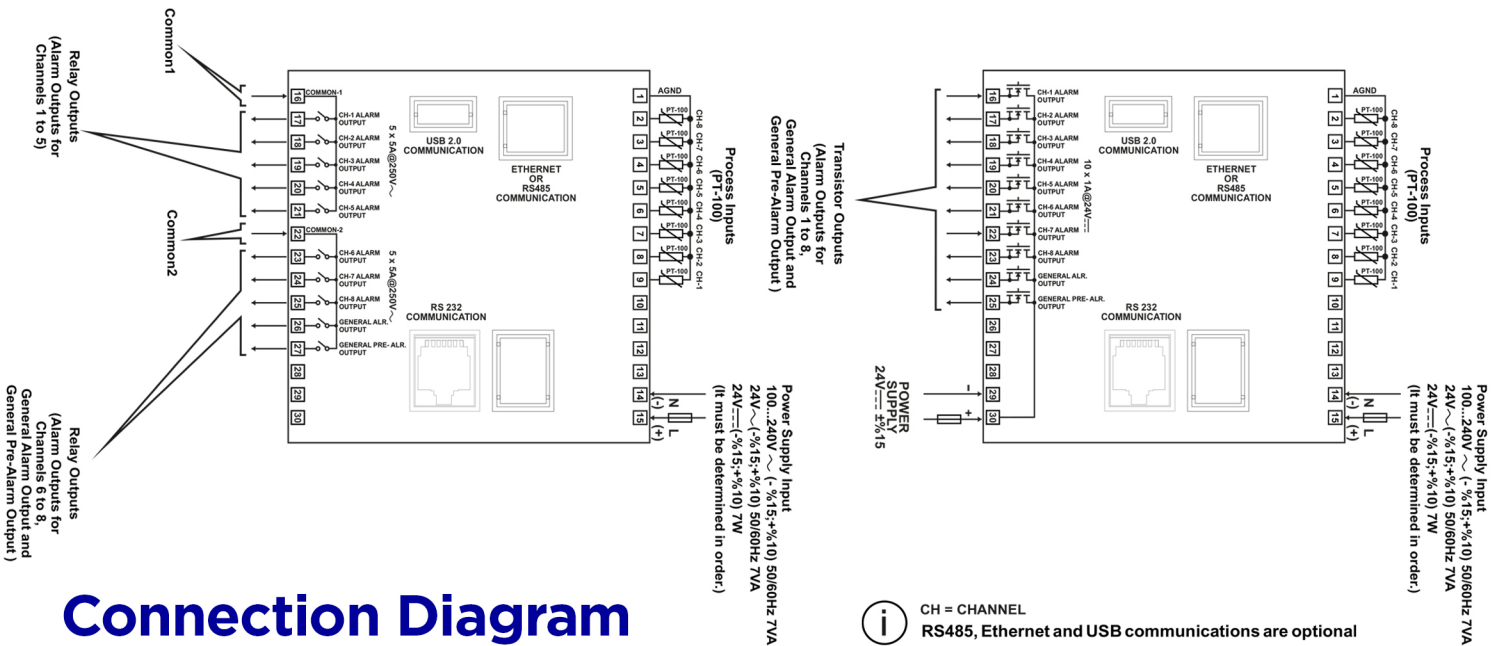


CHANNEL8

8 Channel PT-100 Scanner

- 128 x 64 Graphical LCD display
- 3 Different alarm and pre-alarm types for each channel (High, Low and Band Alarms)
- Relay or (pnp "source") transistor output
- 8 Analogue inputs
- 8 PT-100 input with two wire
- ON-OFF control
- Sensor error detection
- Adjustable offset
- User defined channel labels
- Display scan modes
- Operating with Real Time Clock (RTC)
- Data Logging to USB Flash Memory
- ModBus RTU communication protocol (Optional RS-232, RS-485 & Ethernet communication)



Connection Diagram



PT MULTI MAKMUR TEKNIKATAMA

Phone: +62 21 54350091 | +62 21 54350092 | +62 21 54350181

Mobile WA: +62 878 6314 1371 | Fax: +62 21 54350182

Email: admin@multimakmur.co.id | Website: www.multimakmur.co.id



Features	Descriptions
Control	
Approvals	GOST-R, CE
Communication Protocols	RS-485 (Modbus RTU) *500V ~ isolation* Ethernet (Modbus RTU Over TCP ve Modbus RTU TCP) *1500V ~isolation* USB 2.0 (Data loggin into the flash drive.)
Control Form	On/Off
Reading Frequency	400 ms
Electrical Features	
Accuracy	± % 0,25 of full scale
Optional Sensor Inputs	-
Scale	-200°C ... 650°C
Sensor Inputs	PT-100 (IEC751)(ITS90)
Supply Voltage and Power	100 - 240 Vac (-%15 / +%10) 50/60 Hz. 7 VA 24 Vac (-%15 / +%10) 50/60 Hz. 7 VA 24 Vdc (-%15 / +%10) 7 W
Output	
Analogue Output	-
Relay Output	5x (5A@250 Vac) at resistive load Must be determined in order.
SSR Output	-
Transistor Outputs	10x PNP (source) type transistor output (Max. 1A @24VDC) Must be determined in order.
Physical Features	
Dimensions	96 mm x 96 mm x 96 mm
Installation	Fixed Installation
Protection Class	NEMA 4X (IP65 at front, IP20 at rear)
Storage / Operating Humidity	90 % max. (None condensing)
Storage / Operating Temperature	0...50°C

