

EZM-4930

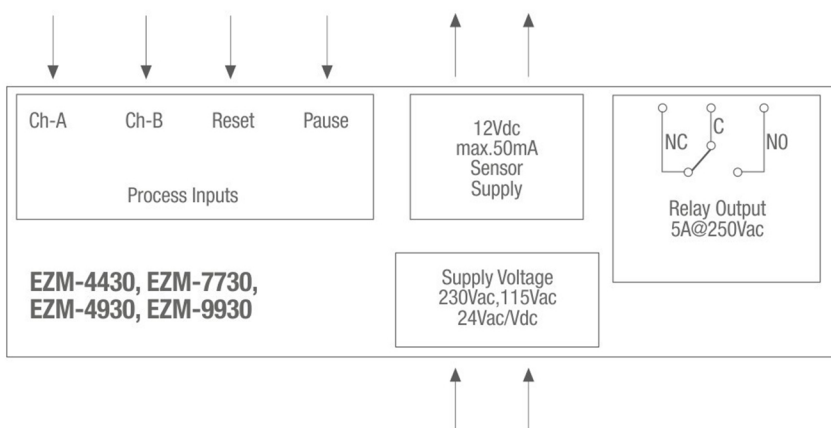
Single Set Programmable Counter

EZM-4930

- Reset, Pause and ChA-ChB Counting Inputs
- Multiplication Coefficient and Decimal Point Position
- 6 Digits process (PV) & 6 digits Set (SV) Value Display
- Operation with 1 Set Value
- NPN/PNP Type Operation
- Operation with Automatic and Manuel Reset
- INC, DEC, INC/INC, INC/DEC, UP/DOWN, x1 / x2 / x4 Counting with Phase Shifting Property



Connection Diagram



PT MULTI MAKMUR TEKNIKATAMA

Phone: +62 21 54350091 | +62 21 54350092 | +62 21 54350181

Mobile WA: +62 878 6314 1371 | **Fax:** +62 21 54350182

Email: admin@multimakmur.co.id | **Website:** www.multimakmur.co.id



Features	Descriptions
Physical Features	
Dimensions	96 mm x 48 mm 96 mm
Protection Class	NEMA 4X (IP65 at front, IP20 at rear)
Installation	Fixed Installation
Storage / Operating Temperature	-40 °C with +85 °C / 0 °C with +50 °C
Storage / Operating Humidity	90 % max. (None condensing)
Electrical Features	
Supply Voltage and Power	230 Vac (-15%, +10%) 50/60 Hz. 2.3 VA 115 Vac(-15%, +10%) 50/60 Hz. 2.3 VA 24 Vac(-15%, +10%) 50/60 Hz. 2.3 VA 24ac/dc (-%15 / +%15) 50/60 Hz. 4W
Sensor Inputs	12 V ±% 40 Maximum 50 mA
Optional Sensor Inputs	
Scale	
Accuracy	
Output	
Relay Output	5A@250 Vac at resistive load
SSR Output	
Analogue Output	
Optional Outputs	
Control	
Control Form	
Reading Frequency	
Communication Protocols	
Approvals	EAC, CE



PT MULTI MAKMUR TEKNIKATAMA

Phone: +62 21 54350091 | +62 21 54350092 | +62 21 54350181

Mobile WA: +62 878 6314 1371 | **Fax:** +62 21 54350182

Email: admin@multimakmur.co.id | **Website:** www.multimakmur.co.id

